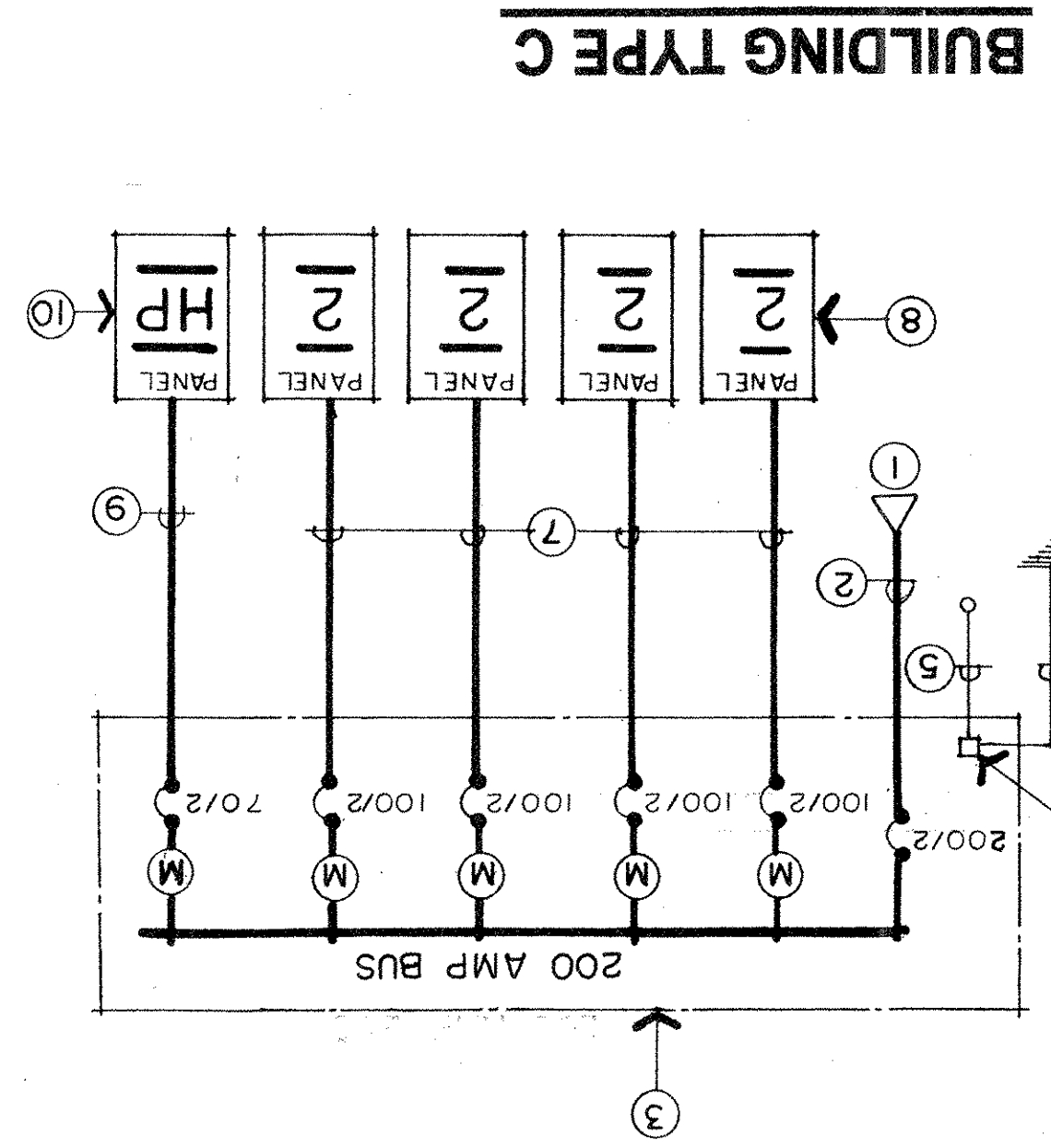


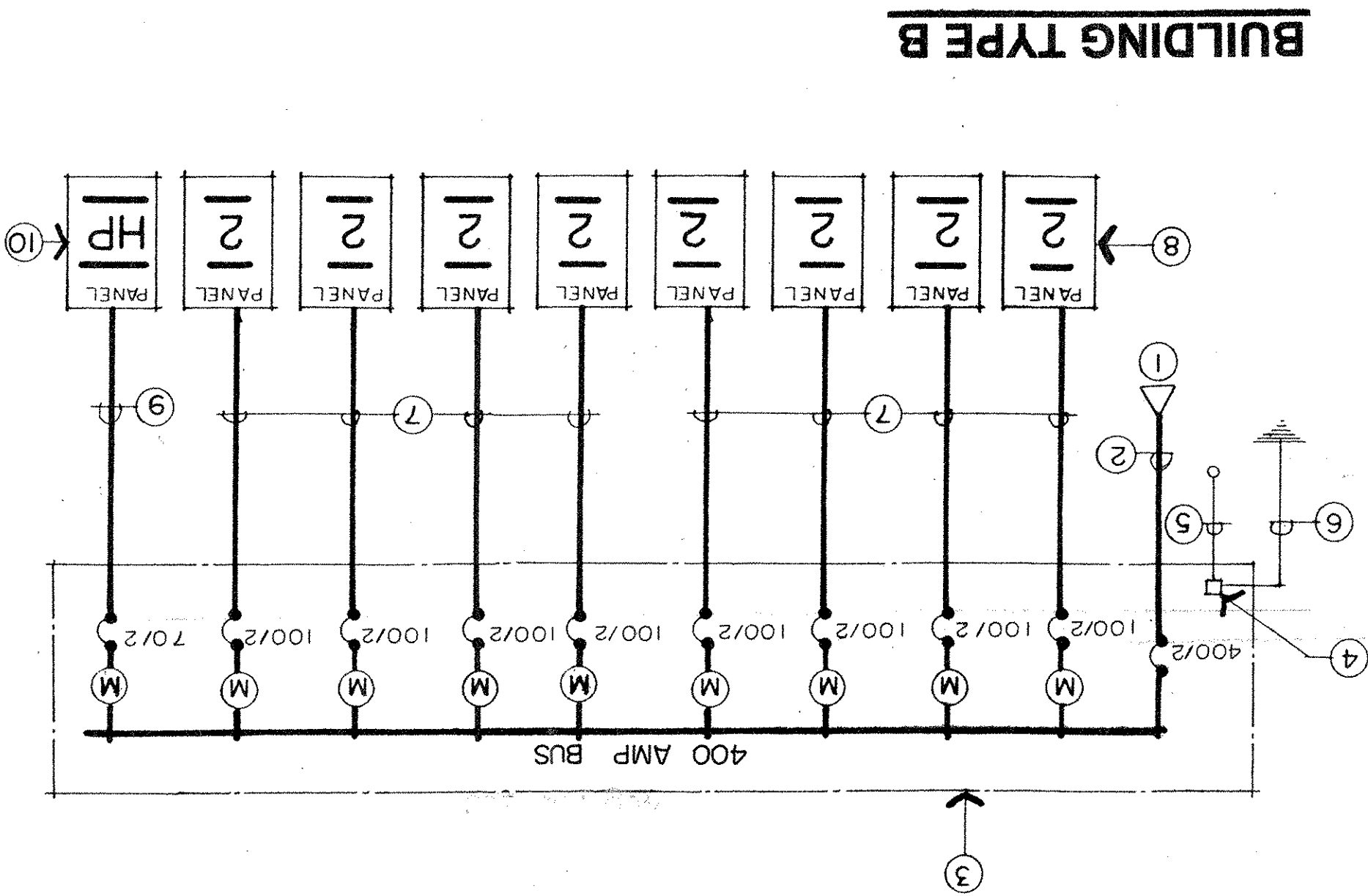
Project Architect:
MR. ANTHONY LAMBE
PROPOSED APARTMENTS FOR:
5430 WEST PALO ALTO AVENUE
FRESNO, CALIFORNIA 93720

Revisions:
Date
Phone: 559.225.2602
1500 West Shaw, Ste. 304
Fresno, California 93711
ARCHITECTURE-PLANNING COMPANY
VINCENT
THE

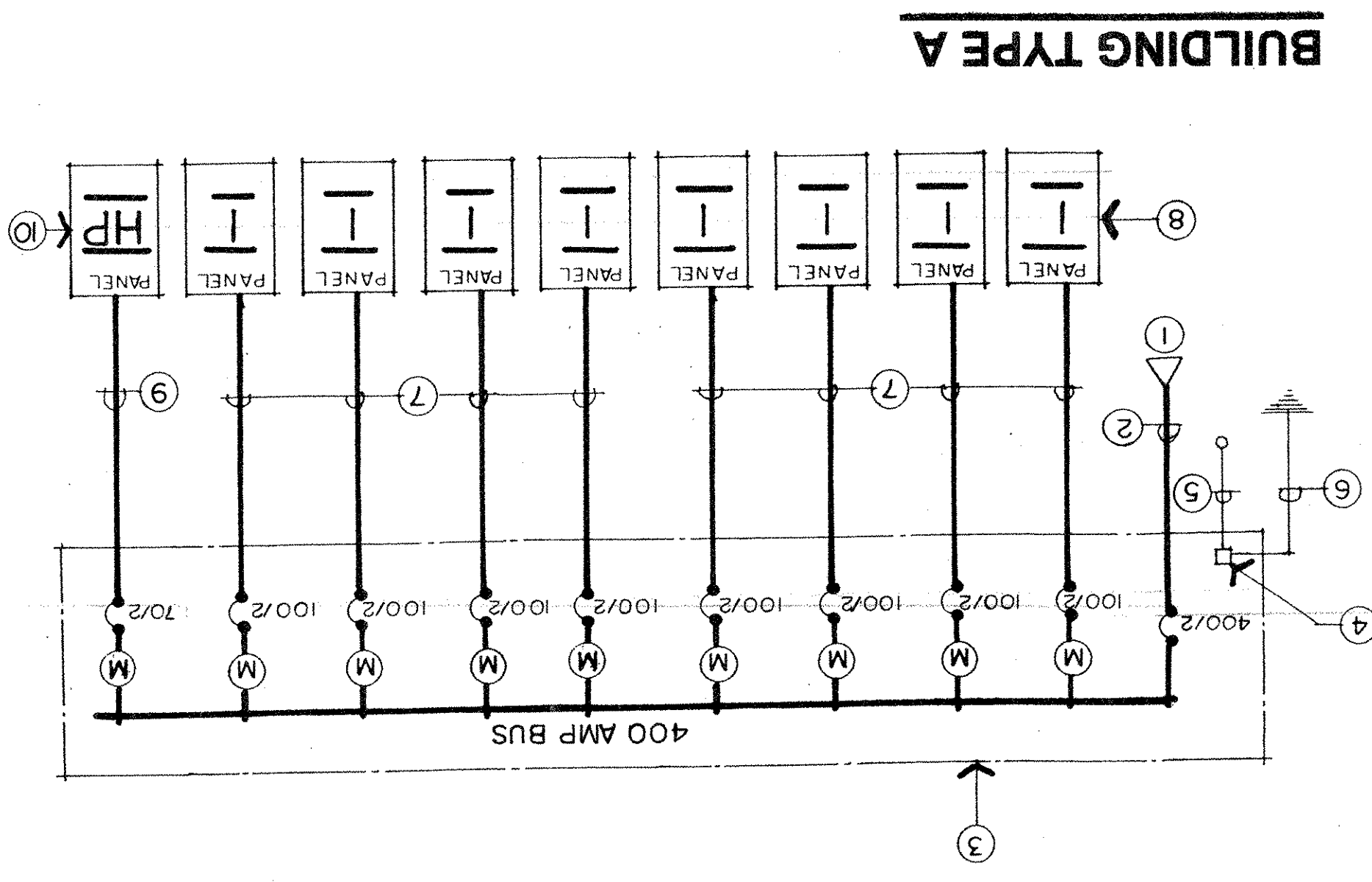
1 SINGLE LINE DIAGRAMS



KEYNOTES
1. STUB OUT FOR LOCAL UTILITY SERVICE. ELECTRICAL CONTRACTOR SHALL DEFERRY UTILITY SERVICE CHANGES.
2. VERIFY CONDUIT SIZE WITH LOCAL UTILITY COMPANY PRIOR TO BID.
3. SERVICE TERMINATION CABINET AS REQUIRED BY THE LOCAL UTILITY COMPANY. COORDINATE INTERRUPTING CAPACITY OF ALL CIRCUIT BREAKERS WITH LOCAL UTILITY COMPANY AVAILABLE.
4. GROUND BUS
5. AND NATIONAL ELECTRICAL CODE ARTICLE 250 / TYPICAL.
6. PROVIDE GROUNDING PER DETAIL 1 / E-1 AND NATIONAL ELECTRICAL CODE ARTICLE 250 / TYPICAL.
7. PROVIDE 1-1/2" DIAMETER CONDUIT WITH (3) #3 CU THHN.
8. PROVIDE RECESSED MOUNTED 120/240V 1 PHASE 100 AMP SUBPANEL AT EACH UNIT. COORDINATE WITH UNIT ELECTRICAL FLOOR PLANS, SHEETS E-3, E-4 AND E-5 / TYPICAL.
9. PROVIDE 1" DIAMETER CONDUIT WITH (3) #8 CU THHN CONDUCTORS TO THE HOUSE SUBPANEL.
10. PROVIDE SURFACE MOUNTED 120/240V 1 PHASE 3 WIRE TO AMP 4 POLE HOUSE SUBPANEL AT EACH BUILDING. COORDINATE WITH SITE ELECTRICAL PLAN, SHEET E-2 AND TYPICAL PANEL SCHEDULE.
SHEET E-4 / TYPICAL



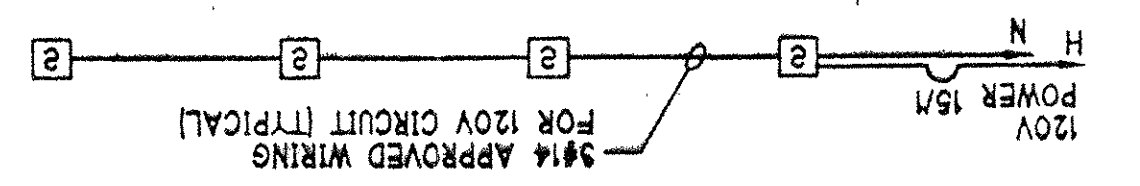
BUILDING TYPE B



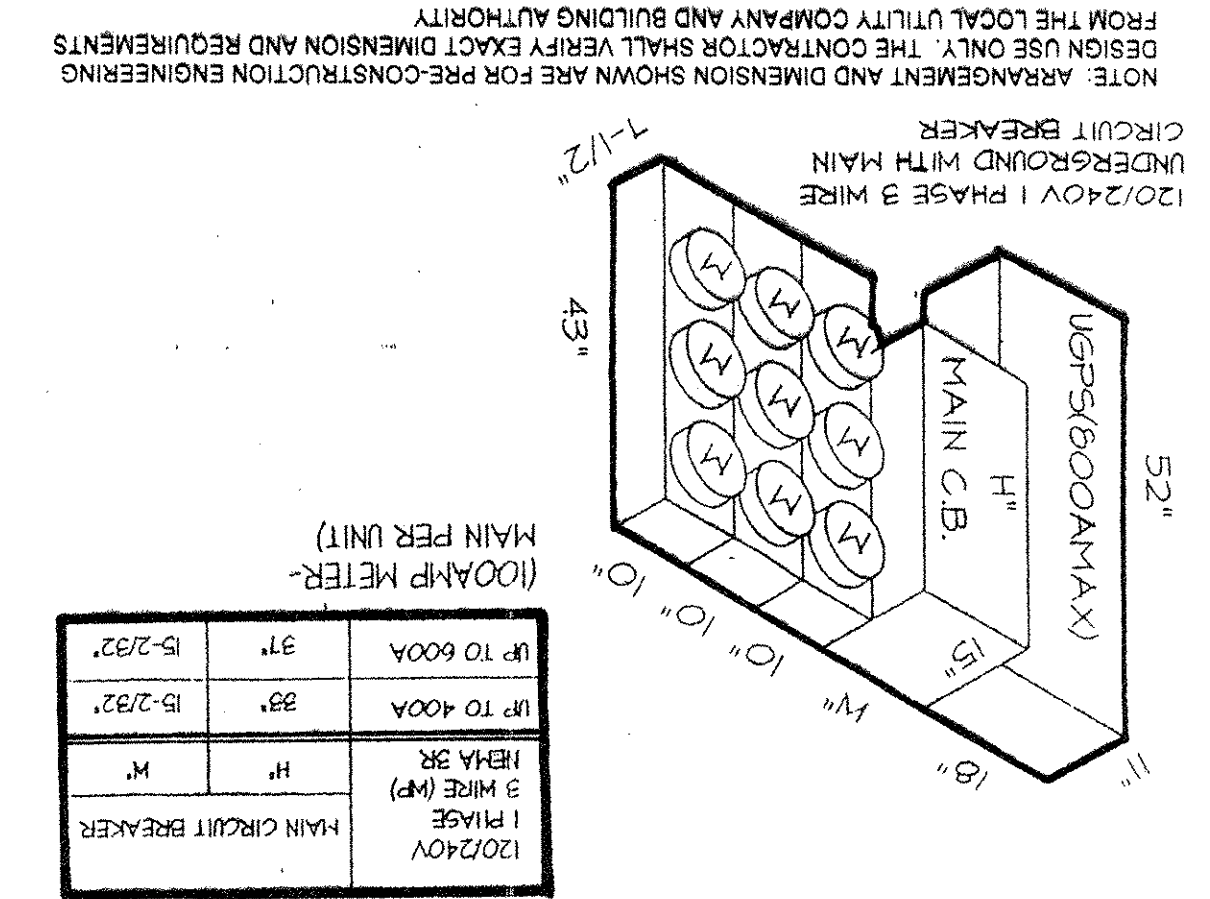
BUILDING TYPE A

5 SMOKE DETECTOR WIRING RESIDENTIAL UNIT

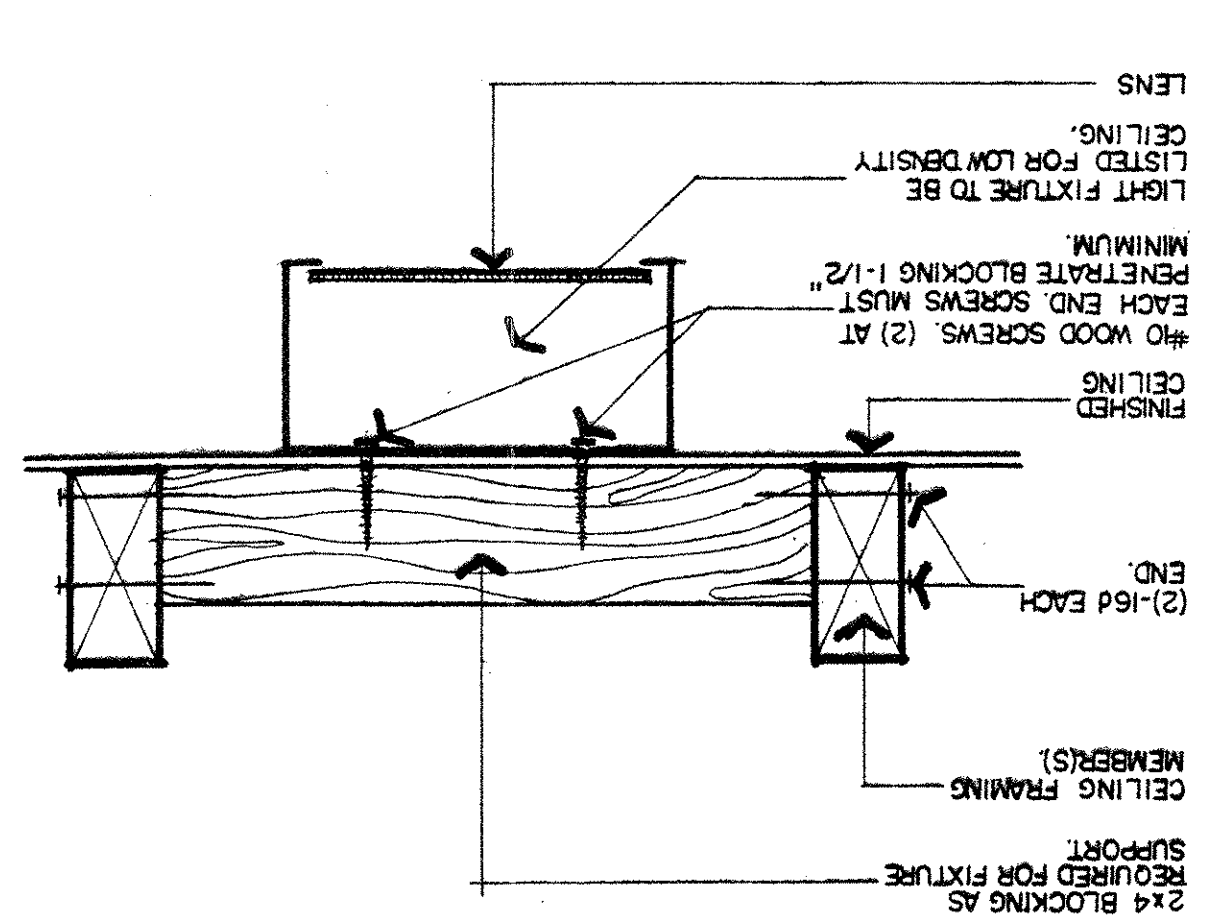
SMOKE DETECTOR 120V DIRECT CONNECTED WITH BATTERY BACKUP. LOW VOLTAGE SIGNAL FROM AIR DIFFUSER, CEILING MOUNTED. LOCATION AS PER MANUFACTURERS MANUAL. GENTEX MODEL 9120, 9120, 9120, 9120, 9120, 9120, 9120, 9120, 9120, 9120. SHEET E-6 FOR KEYNOTES



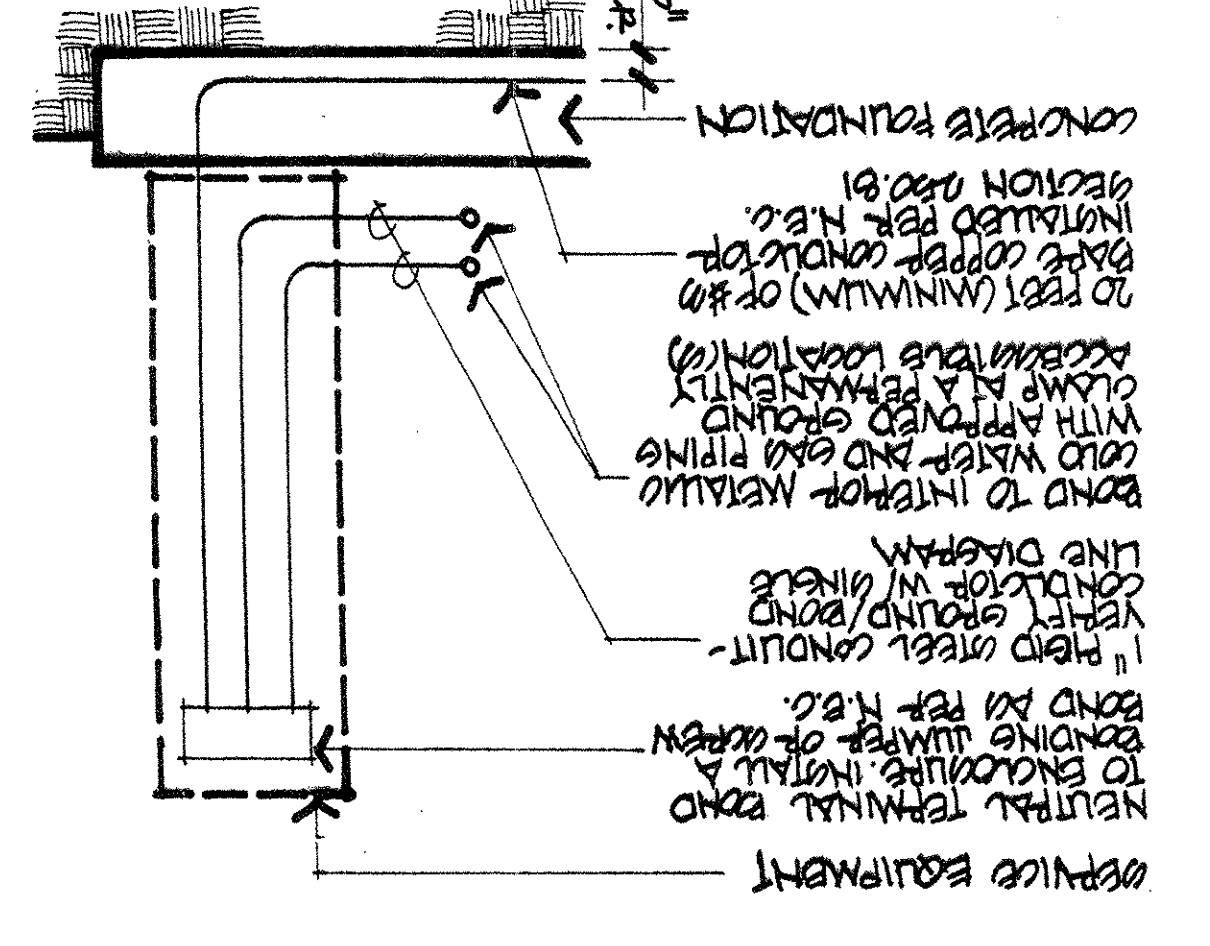
4 METER BANK DETAIL RESIDENTIAL



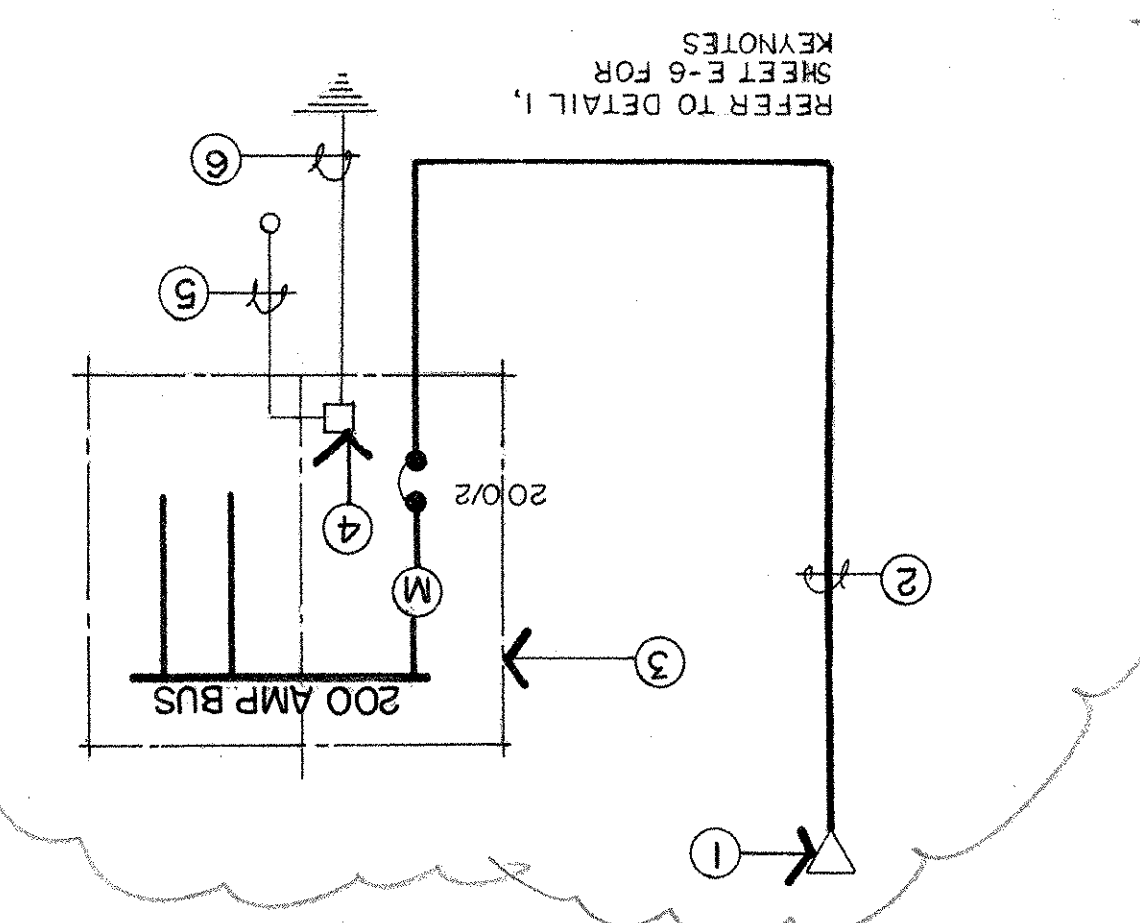
3 SURFACE LIGHT FIXTURE



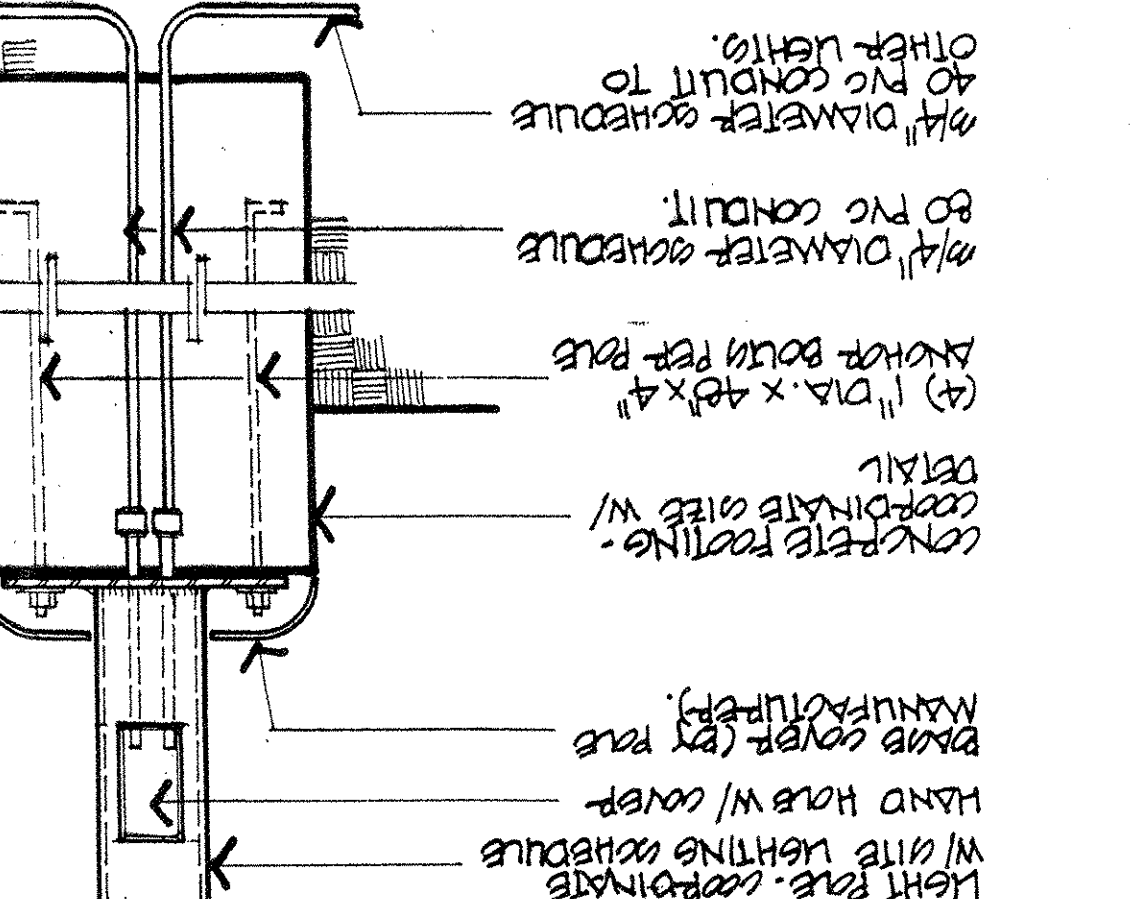
2 EQUIPMENT GROUNDING



8 SINGLE LINE DIAGRAM



7 POLE LIGHT BASE



6 POLE MOUNTED LIGHT

